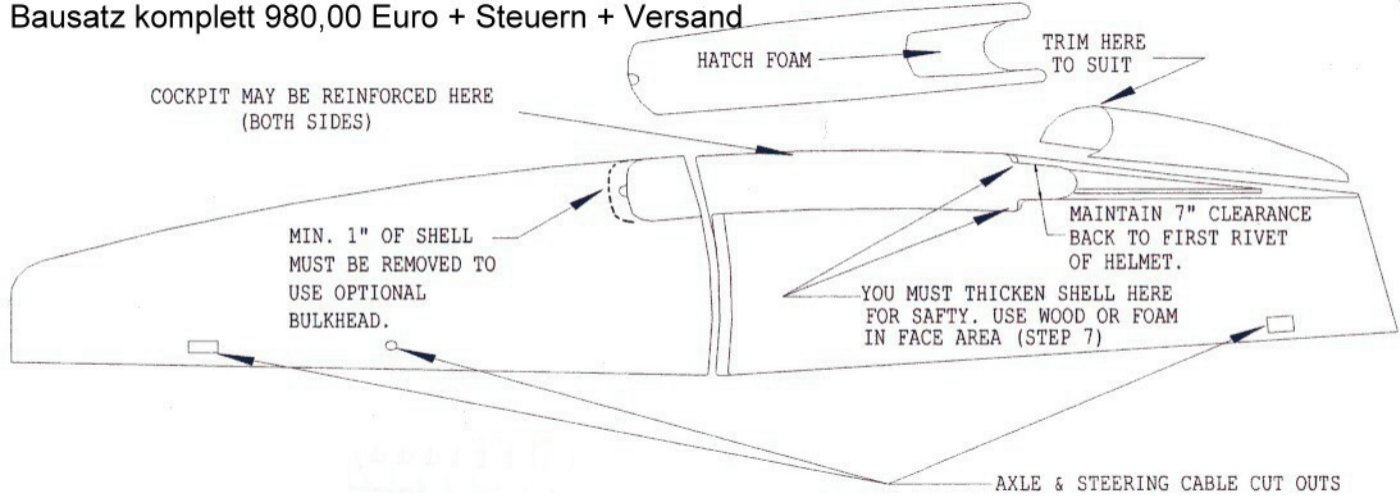


# Bausatz komplett 980,00 Euro + Steuern + Versand



HATCH FOAM

TRIM HERE  
TO SUIT

COCKPIT MAY BE REINFORCED HERE  
(BOTH SIDES)

MIN. 1" OF SHELL  
MUST BE REMOVED TO  
USE OPTIONAL  
BULKHEAD.

MAINTAIN 7" CLEARANCE  
BACK TO FIRST RIVET  
OF HELMET.

YOU MUST THICKEN SHELL HERE  
FOR SAFTY. USE WOOD OR FOAM  
IN FACE AREA (STEP 7)

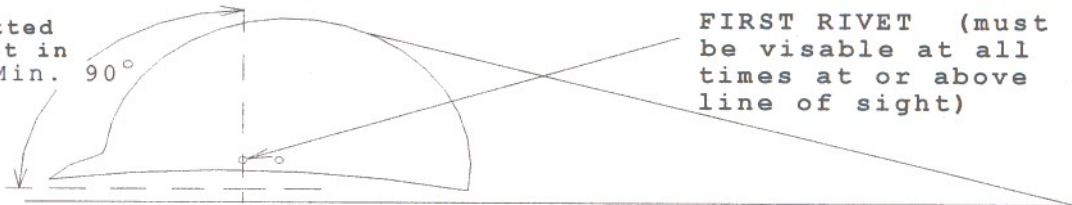
AXLE & STEERING CABLE CUT OUTS

Nothing permitted  
to cover Helmet in  
this area.

Min. 90°

FIRST RIVET (must  
be visable at all  
times at or above  
line of sight)

Line of Sight

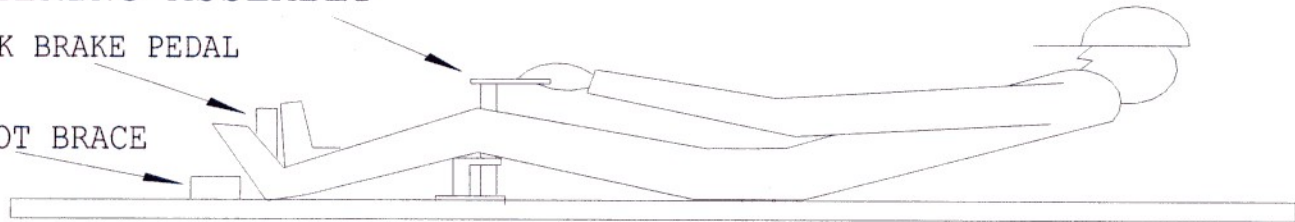


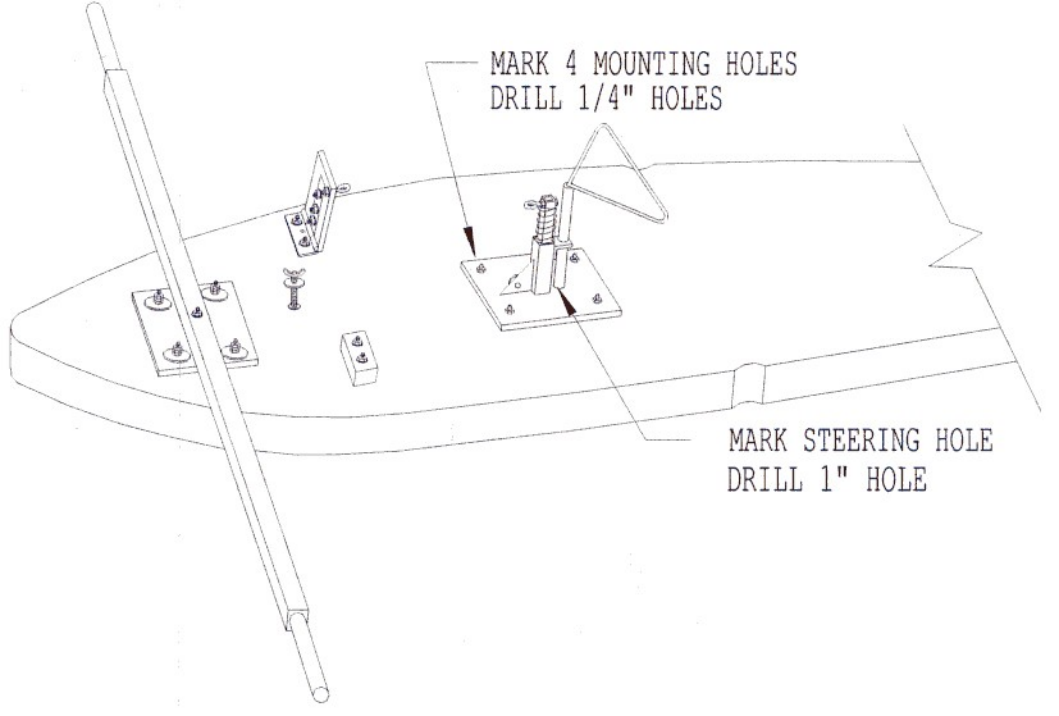
Line of sight is measured off the center of first rivet, on the helmet, down the top center line of the car, or the highest point in front of driver's face.

# STEERING ASSEMBLY

MARK BRAKE PEDAL

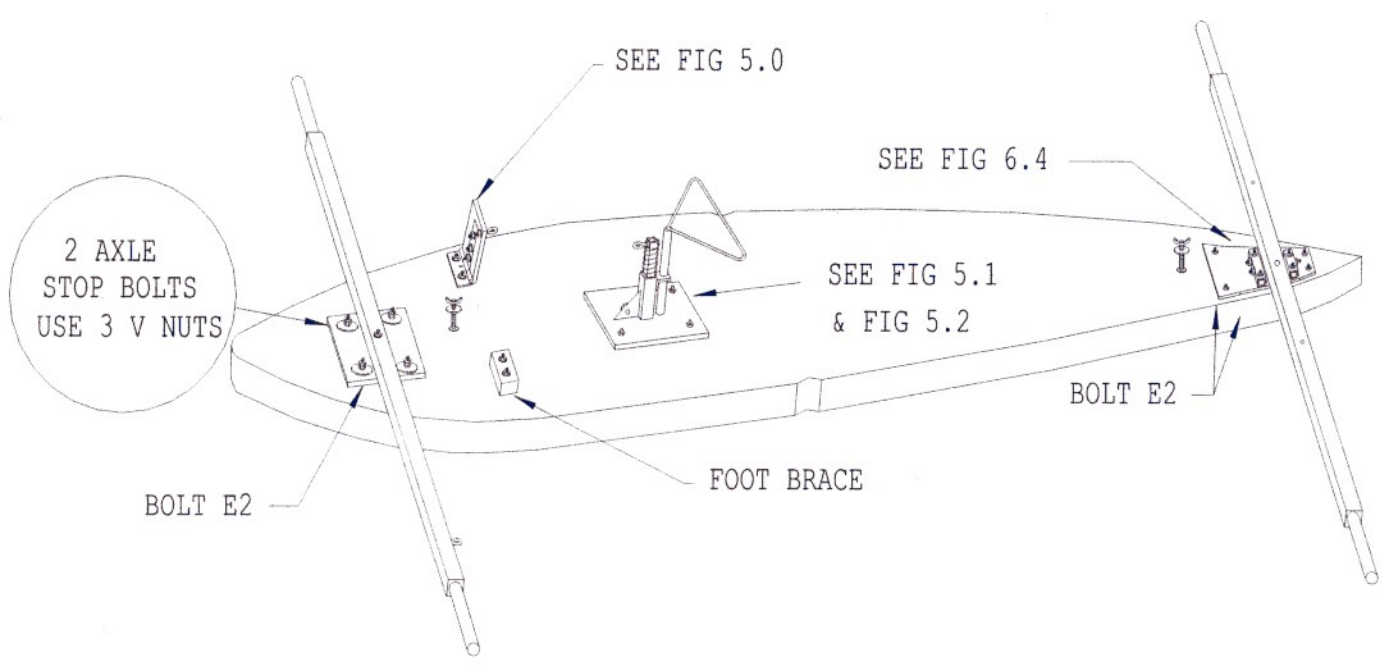
MARK FOOT BRACE



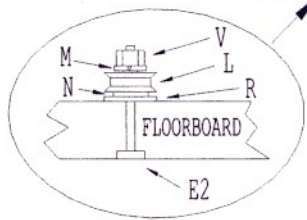
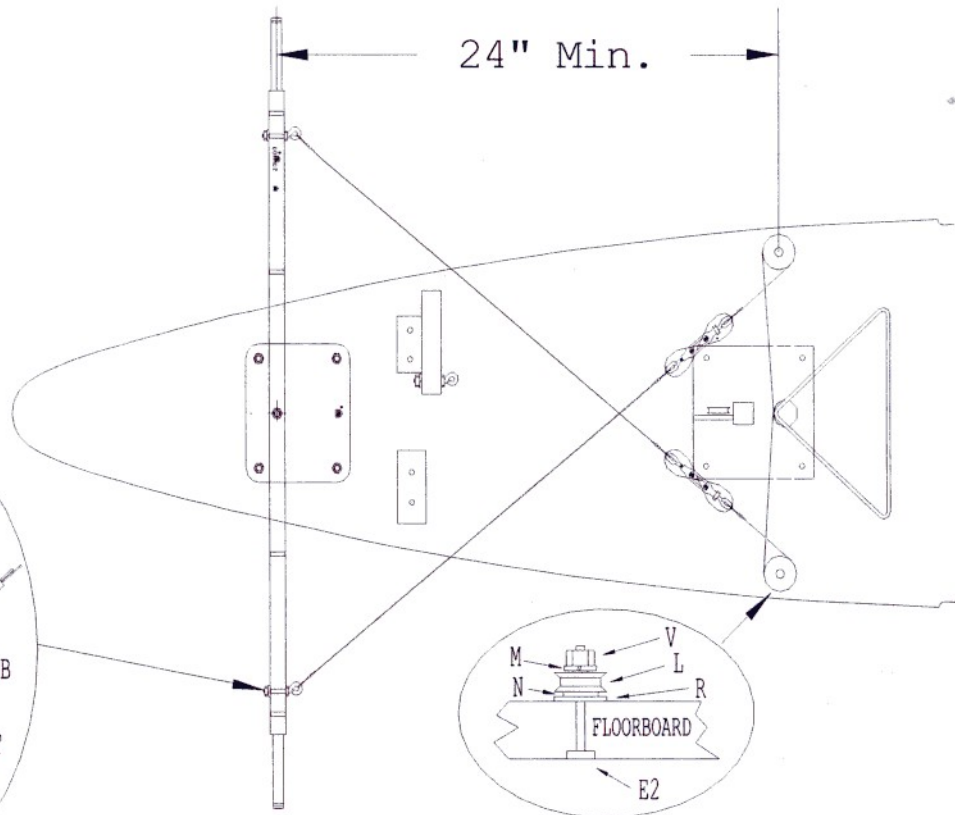
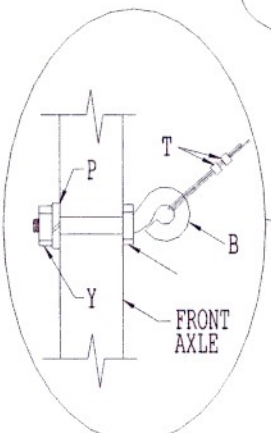


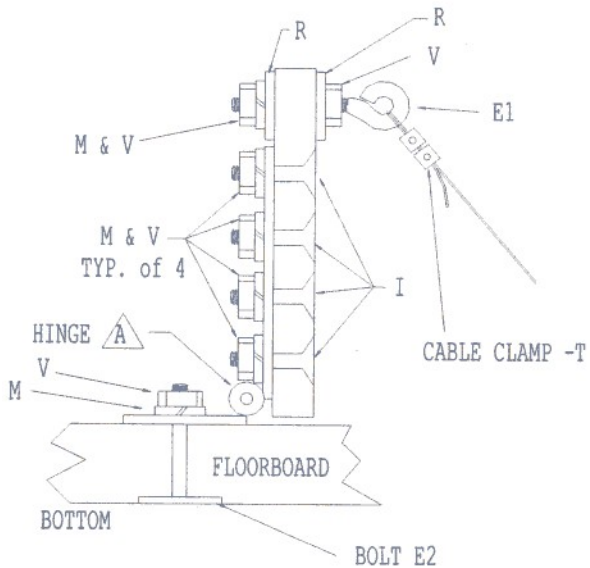
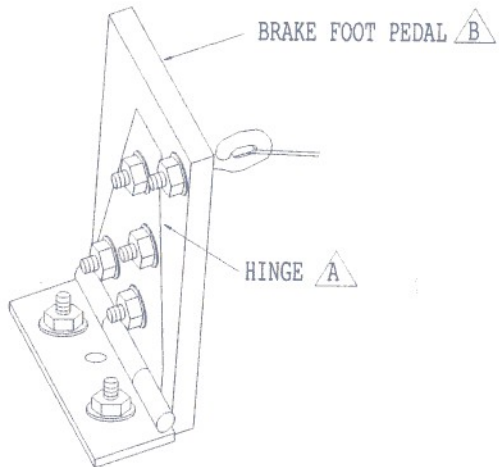
MARK 4 MOUNTING HOLES  
DRILL 1/4" HOLES

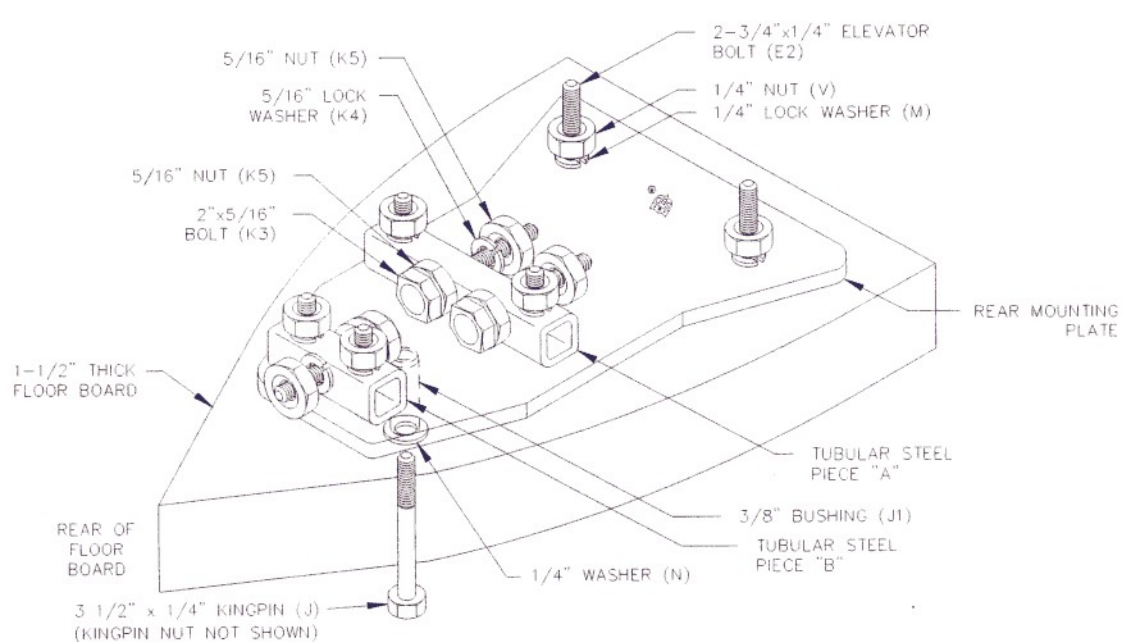
MARK STEERING HOLE  
DRILL 1" HOLE



24" Min.

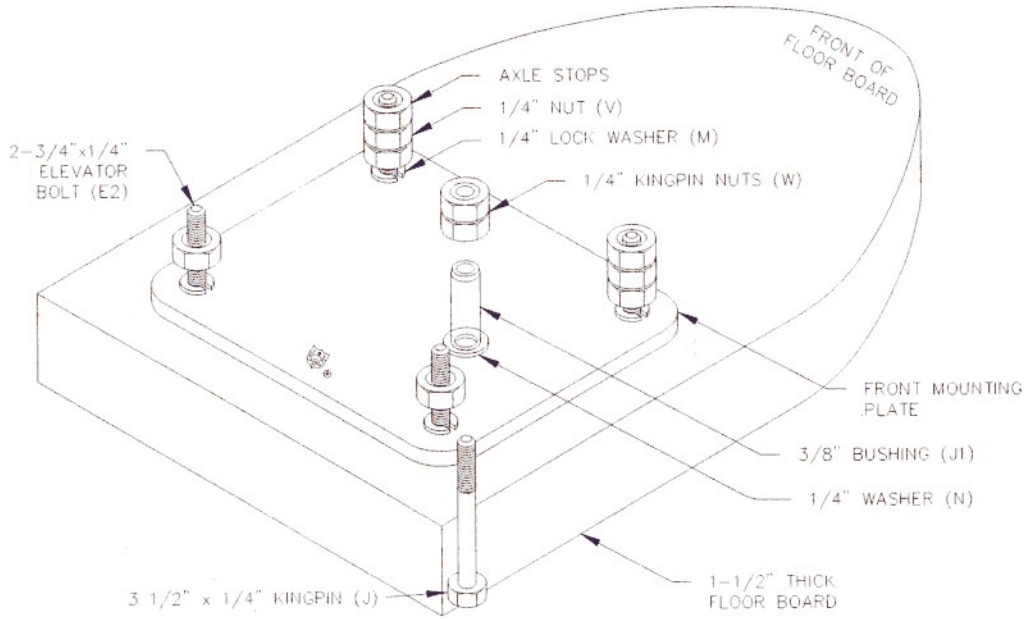




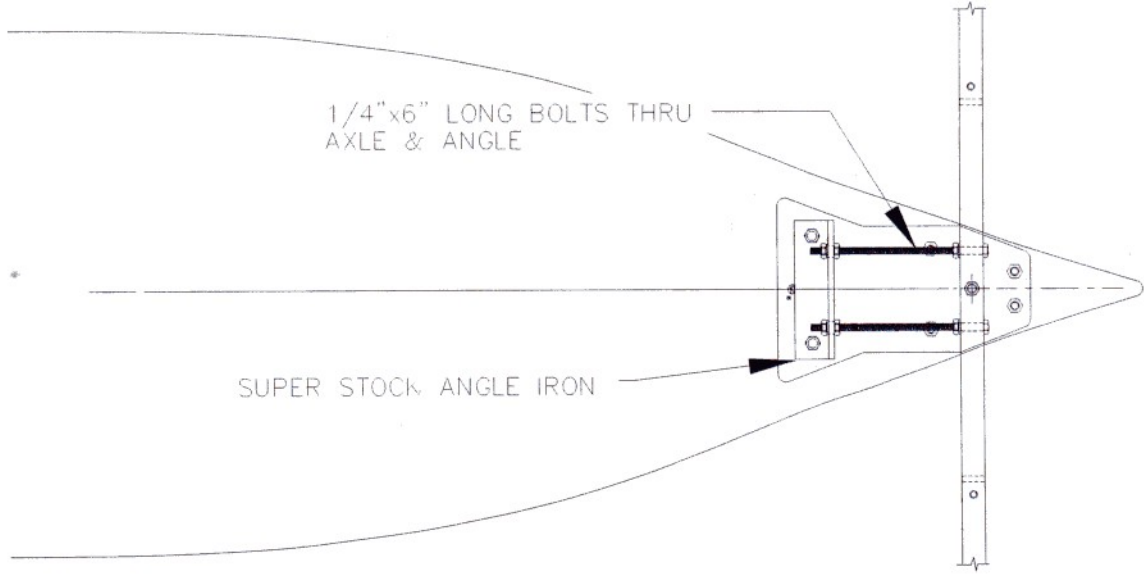


REAR RUNNING GEAR DETAIL

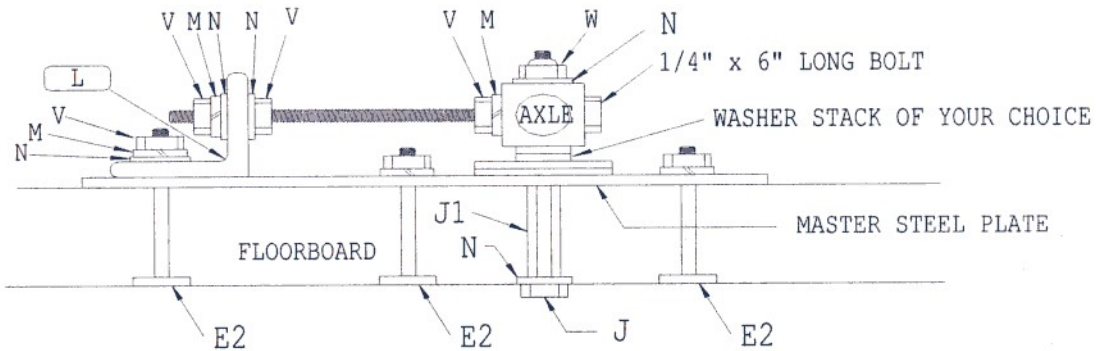




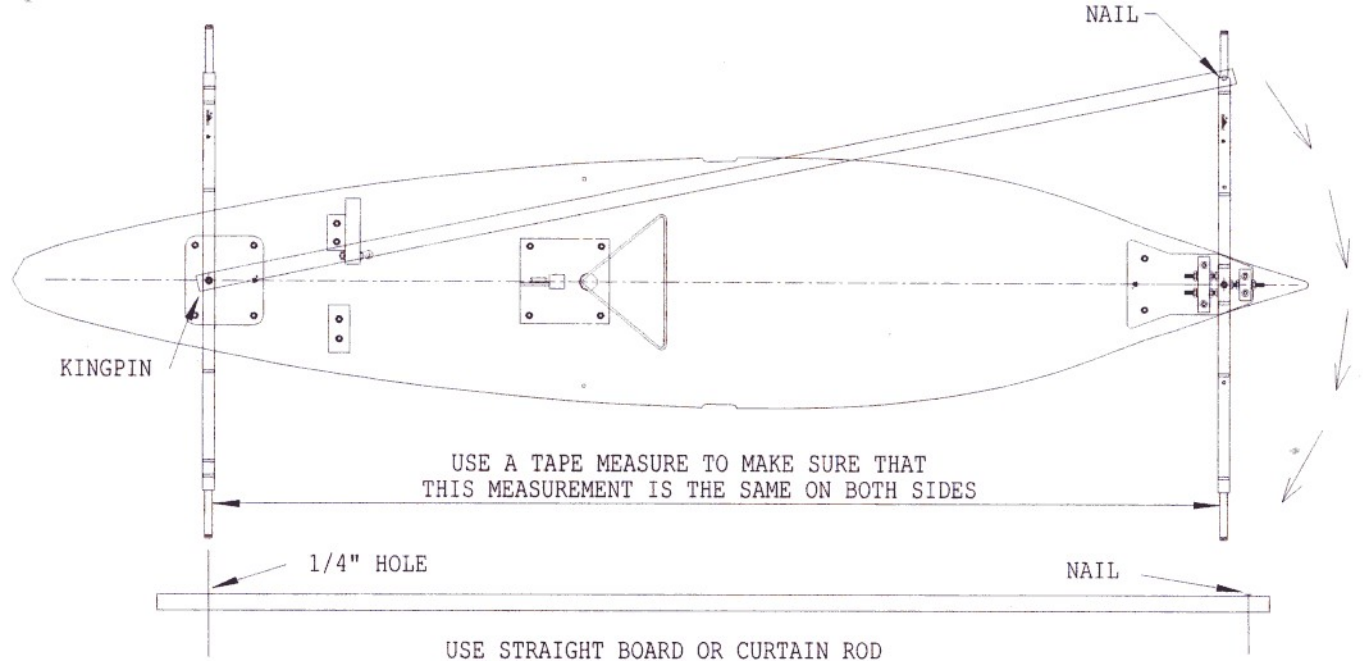
FRONT RUNNING GEAR



ALTERNATE SUPER STOCK  
AXLE MOUNTING



ALTERNATE SUPER STOCK AXLE MOUNTING



LOCATION OF 5/16" ADJUSTABLE WEIGHT BOLTS WITH WING NUTS

BROOMSTICK OR SIMILAR PLACED BETWEEN AXLES

WEIGHT PLATES WITH 5/16" BOLTS  
MAX 12" LONG (NO WING NUTS ON PLATES)

IF WEIGHT PLATES ARE USED IN THIS AREA, THEY MUST BE REMOVABLE FOR INSPECTION OF FLOORBOARD. ONLY (2) 5/16" BOLTS CAN BE USED TO FASTEN THIS WEIGHT PLATE

